



Tensile Test Rig

Data Sheet

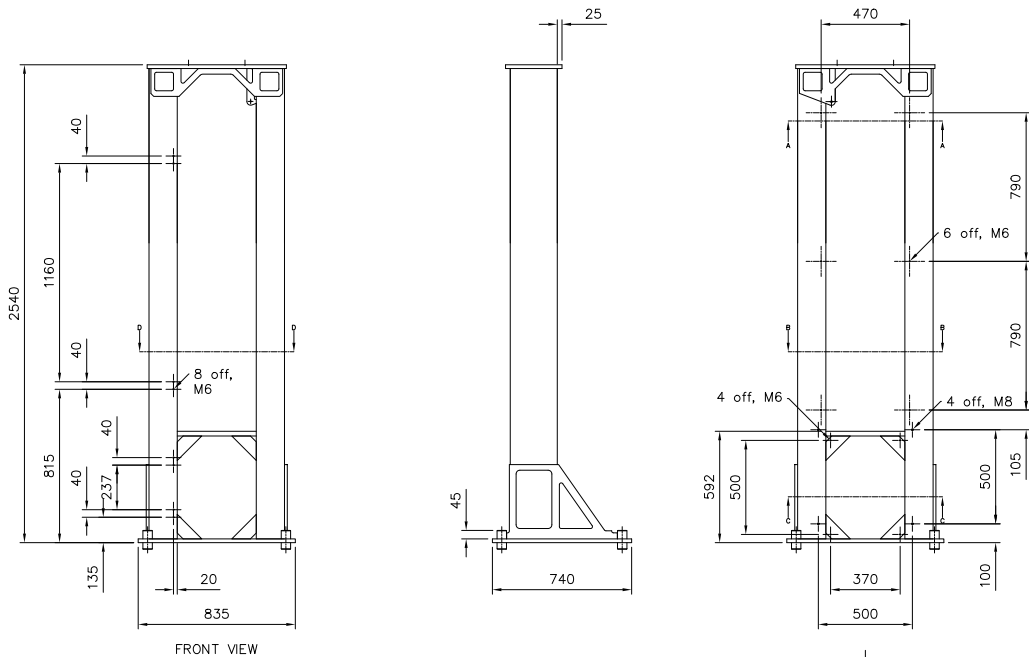
The rig can test components in tension measuring the displacement and force exerted on the component. The rig has a **single cylinder**, which is pressurised via an **electronic regulator** up to **10 bar**. The system has a **pressure booster** built in to achieve **higher pressures from a normal shop air supply**.

Low pressure control of the cylinder allows for **easy loading and unloading** of the cylinder. An integrated rod lock halts the cylinder safely if a component fails.

The **maximum stroke length is 200mm** allowing testing of a large range of components. *The equipment was originally designed for testing webbing straps for the aircraft industry but could also be used for seat belt testing and load restraint strap testing.*

Equipment capabilities:

- Minimum test force of 2,200 N (500 lbf)
- Maximum test force of 11,120 N (2500 lbf)
- Maximum stroke length of 200mm



Contact us now for
more information:

etsdesign.co.uk
+44(0)20 8744 2222
info@etsdesign.co.uk